



# UNTIL:



**United Nations  
Technology Innovations Lab**



# Tech Innovation for SDGs



ANTÓNIO GUTERRES  
UNITED NATIONS SECRETARY GENERAL

“ The advances of the fourth Industrial Revolution, including those brought on by a combination of computing power, robotics, big data and artificial intelligence, are generating revolutions in health care, transport and manufacturing. I am convinced that these new capacities can help us to lift millions of people out of poverty, achieve the Sustainable Development Goals and enable developing countries to leap-frog into a better future. ”

23 MARCH 2018 NEW YORK



# SUSTAINABLE DEVELOPMENT GOALS

17 GOALS TO TRANSFORM OUR WORLD

<b>1</b> NO POVERTY 	<b>2</b> ZERO HUNGER 	<b>3</b> GOOD HEALTH AND WELL-BEING 	<b>4</b> QUALITY EDUCATION 	<b>5</b> GENDER EQUALITY 	<b>6</b> CLEAN WATER AND SANITATION 
<b>7</b> AFFORDABLE AND CLEAN ENERGY 	<b>8</b> DECENT WORK AND ECONOMIC GROWTH 	<b>9</b> INDUSTRY, INNOVATION AND INFRASTRUCTURE 	<b>10</b> REDUCED INEQUALITIES 	<b>11</b> SUSTAINABLE CITIES AND COMMUNITIES 	<b>12</b> RESPONSIBLE CONSUMPTION AND PRODUCTION 
<b>13</b> CLIMATE ACTION 	<b>14</b> LIFE BELOW WATER 	<b>15</b> LIFE ON LAND 	<b>16</b> PEACE, JUSTICE AND STRONG INSTITUTIONS 	<b>17</b> PARTNERSHIPS FOR THE GOALS 	 <b>SUSTAINABLE DEVELOPMENT GOALS</b>





## What is UNTIL:



# UNTIL: is a platform for...

Citizens' engagement around technology innovation

All actors of the tech innovation ecosystem to collaborate and co-create

Building local digital technology solutions for global SDG reach

# UNTIL: Philosophy

When technology succeeds in solving a problem in our lives, it becomes invisible. The ticking of a clock so constant as to fade into the background.

Too often, we begin to take this transformative force for granted.

But technology is not, by nature, an inclusive phenomenon. Its availability in every context can not be assumed. And as the clock ticks on unnoticed, lives are lost.



# UNTIL: Philosophy

The right combination of capabilities and conditions must be created to give technology a more humane dimension, and allow the benefits it can confer to be enjoyed more widely.

The right connections must be made, at the correct moment.

This is our role at UNTIL. Until technology includes all.



# First European Lab in Finland

UNTIL: Focus on Peace and Security, Health, Education, Circular Economy





# UNTIL: Finland Flagship Project

Solving climate change to go beyond just being carbon neutral with direct air capture technology to extract CO<sub>2</sub> for transportation



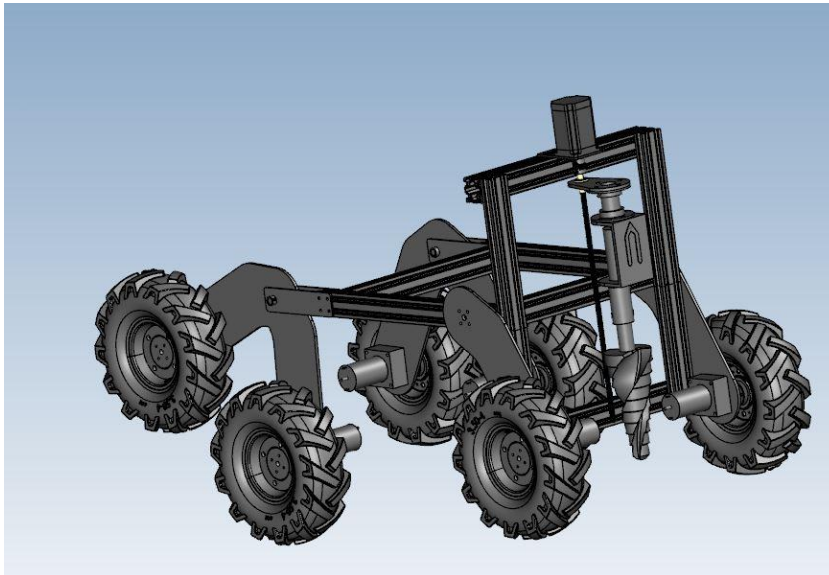
# First Middle East Lab in Egypt

UNTIL: Focus on Education for special-needs students, Health, Industry, Agriculture



# UNTIL: Egypt Flagship Project

“G-Beetle”, in a form of a tiny movable car that uses sensors for measuring water needs and the temperature of the crops themselves across the fields.



# First East Asia Lab in Malaysia

UNTIL: Focus on SmartCities, Sustainable Tourism, Ethical Fashion





[DesignToSustain](#)



# First South Asia Lab in India

UNTIL: Focus on Women Entrepreneurship, Social inclusion, Digital ID



# UNTIL: India Flagship Project


Land Registry on  
Blockchain for  
Afghanistan



UN Enlists Blockchain in Afghanistan For Transparency in Rebuilding Pro...  
A UN spokesperson tells The Sociable that the United Nations is enlisting  
blockchain technology in Afghanistan for transparency in the rebuilding...  
[sociable.co](https://sociable.co)

# UNTIL LABS

## NEW LOCATIONS

-  Under Discussions: Germany, Rwanda, UAE, Thailand, Canada, Mauritius, Kazakhstan, Italy, Iceland, Spain

## INDIA - HARYANA

- OPERATIONAL  
Women entrepreneurship, gender equality, health, smart cities and quality education

## MALAYSIA

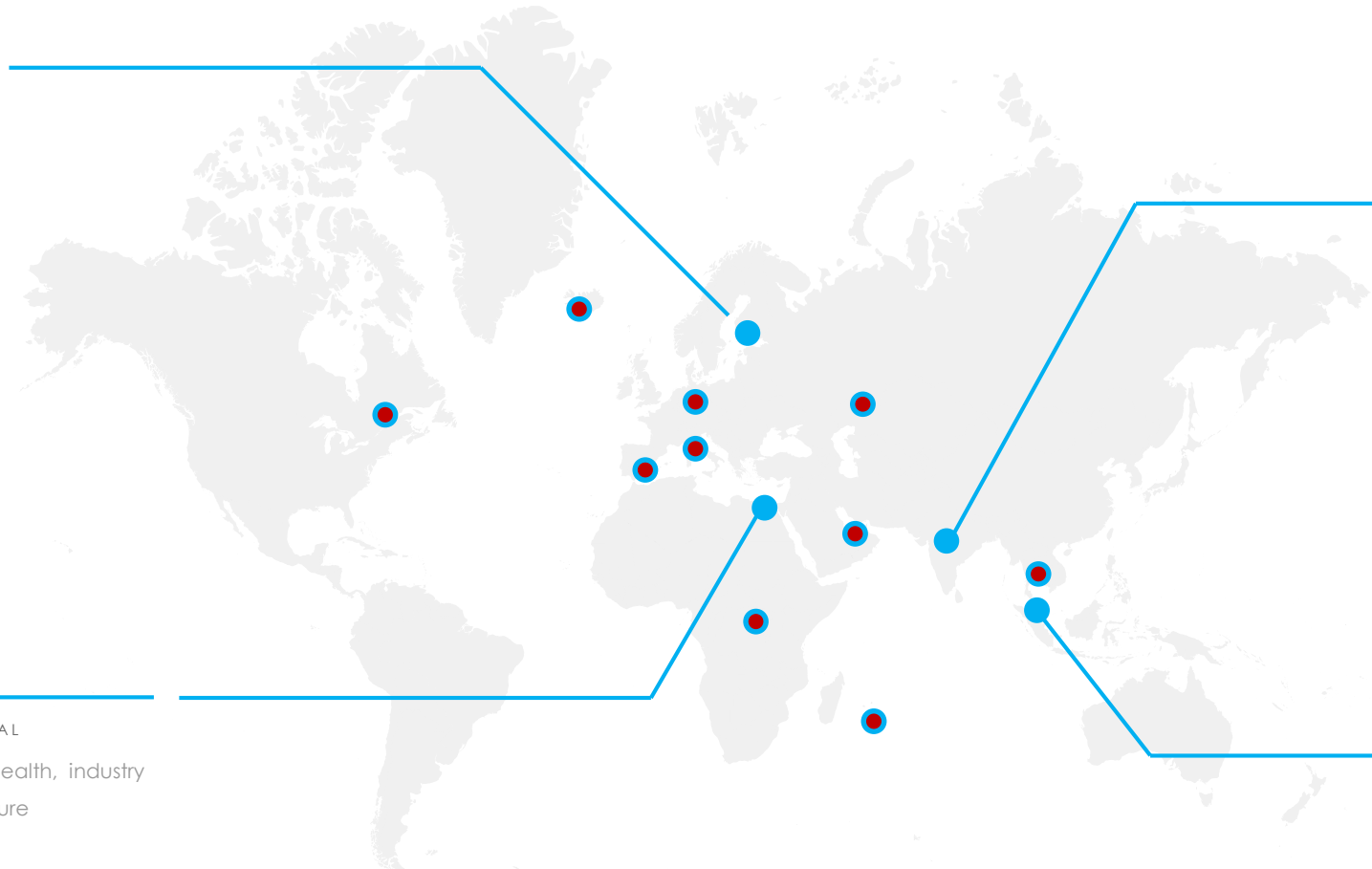
- OPERATIONAL  
Eco-tourism, smart cities (smart transportation), and ethical fashion

## FINLAND

- OPERATIONAL  
Peace & mediation, education, health and circular economy

## EGYPT

- OPERATIONAL  
Education, health, industry and agriculture







## [RebootTheEarth Trailer](#)





## What Happened @RTE

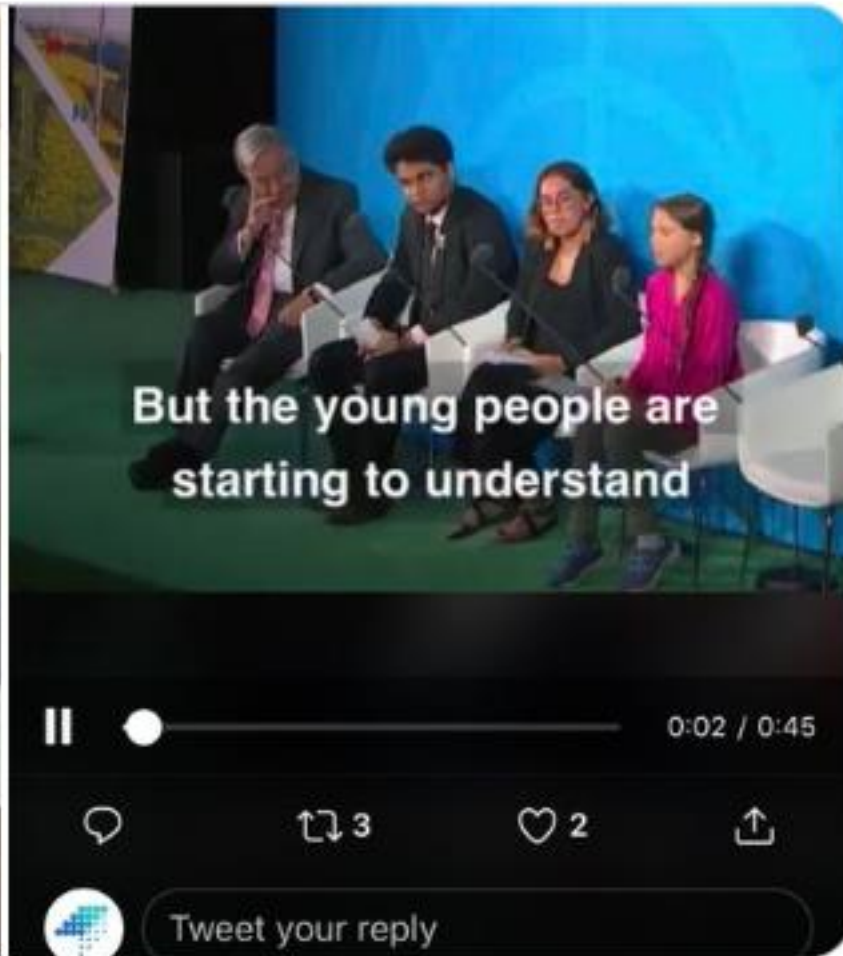




**MMG** @MMGAZZ · 18h



Thanks [@anuragsaharoy](#) for speaking on behalf of all [#reboottheearth](#) [#climater reboot](#) winners with [@antonioguterres](#), [@GretaThunberg](#) and all world leaders. Let's change planet A!!! [@saalemavan](#) [@UNYouthEnvoy](#) [@UNTILabs](#) [@UN\\_CITO](#) [@DianneDain](#) [@MeOmar2](#) [@premnath\\_nair](#)



Tweet your reply

# Leadership Team



**MS. ATEFEH RIAZI**

---

Assistant Secretary-General & Chief  
Information Technology Officer at United  
Nations



**MR. SALEM AVAN**

---

Director, Office of Information and  
Communication Technology (OICT), United  
Nations – Alternate Co-Chair



**MR. MAURIZIO MARIA GAZZOLA**

---

Chief, Strategic Solutions and Head of the  
Global UN Technology Innovation Labs  
Programme at the Office of Information  
and Communication Technology (OICT),  
United Nations



# Tech Innovation for Member States

Thank you,



**Jorge Martinez Navarrete**

Lead Innovation Unit

Office of Information and Communications Technology (OICT)

United Nations

[Martinez-navarrete@un.org](mailto:Martinez-navarrete@un.org)

Websites: [until.un.org](http://until.un.org) / [unite.un.org](http://unite.un.org) / [www.un.org](http://www.un.org)

Twitter: @UNTILabs

